



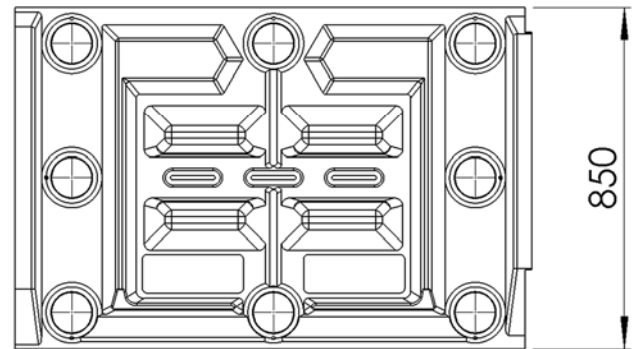
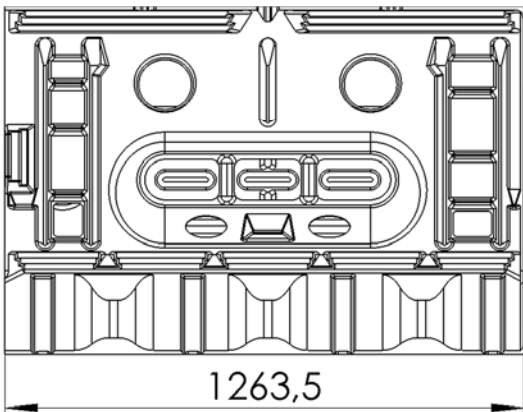
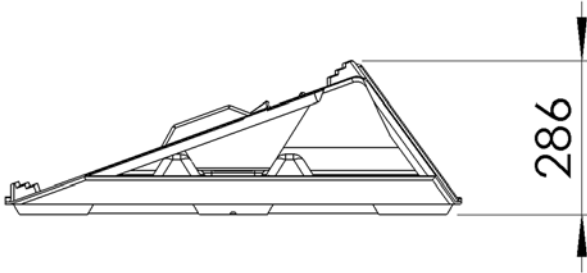
e-pan S

Solar Mounting System for flat roofs

20 years
warranty

e-pan S

technical data sheet



Material:	Polycarbonate (PC)
Temperature:	-100° up to 125°
Recycling:	100%
Weight:	ca. 8kg (devoid of module and ballast)
Inclination:	20 deg
Suitable for:	First Solar (1200x600) and EPV modules (1245x635)
Connection:	Railsystem, Ballast, roof penetration
Assembly time:	Depending on connection between 3-7 minutes

 enpatec®